



# AC/Triac Dimming LED Drivers

TLX hardwire drivers are compatible with a wide range of common triac-based dimmers such as Lutron, Leviton and Legrand. Most models work with both leading-edge dimmers (MLV) or trailing-edge dimmers (ELV). Most come with integrated wiring compartments for easy hardwire installation



**40 watt (Recognized Component)**  
 1010-ps-acdim-24v40w  
 1017-ps-acdim-12v40w  
 Fits in an octagon junction box  
 (\*may require field inspection)

## Features and Benefits:

- Smooth dimming from 100% to 10%
- Reliable operation
- Compatible with most common leading-edge and trailing-edge dimmers \* (except 60 watt)
- Safe operation: overload, thermal and short-circuit protected
- Safe operation: Class 2 current-limited design
- Integral enclosures with wiring compartments for 40 watt, 60 watt and 100 watt versions

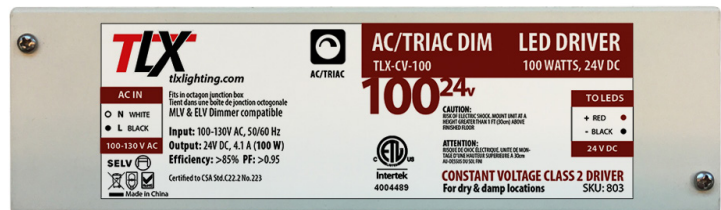


**40 watt**  
 807-ps-acdim-24v40w  
 1021-ps-acdim-12v40w



**60 watt**  
 802-ps-acdim-24v60w  
 1022-ps-acdim-12v60w

\*60 watt is leading edge/MLV dimmable only



**100 watt (24V ONLY)**  
 803-ps-acdim-24v100w

## Perfect for powering LED flexible strip lights and rigid LED bars

Item	Dimensions (mm)	Wattage	Output Voltage	Hardwire	Class 2	Certification
1010-ps-acdim-24v40w	79 (Diam.) x 32(H) (Puck)	40 watt	24V DC	Yes	Yes	cETLus (RC)
807-ps-acdim-24v40w	205(L) x 50(W) x 40(H)	40 watt	24V DC	Yes	Yes	cETLus
802-ps-acdim-24v60w	240(L) x 53(W) x 40(H)	60 watt	24V DC	Yes	Yes	cETLus
803-ps-acdim-24v100w	265(L) x 71(W) x 40(H)	100 watt	24V DC	Yes	Yes	cETLus
1017-ps-acdim-12v40w	79 (Diam.) x 32(H) (Puck)	40 watt	12V DC	Yes	Yes	cETLus (RC)
1021-ps-acdim-12v40w	205(L) x 50(W) x 40(H)	40 watt	12V DC	Yes	Yes	cETLus
1022-ps-acdim-12v60w	240(L) x 53(W) x 40(H)	60 watt	12V DC	Yes	Yes	cETLus

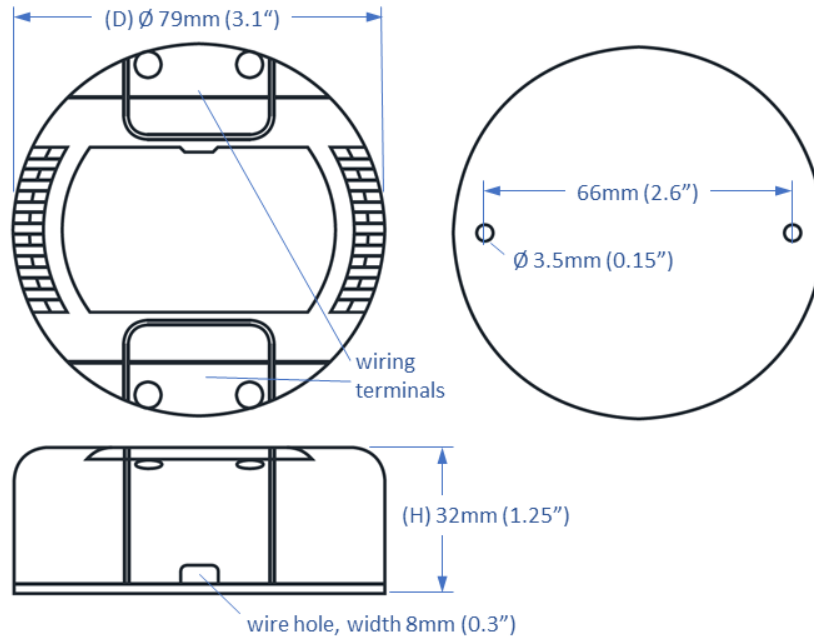
TLX brings you the finest selection of high quality, innovative and cost-effective LED lighting solutions.

Contact us today to learn more about how you can take advantage of the many benefits of TLX technology.

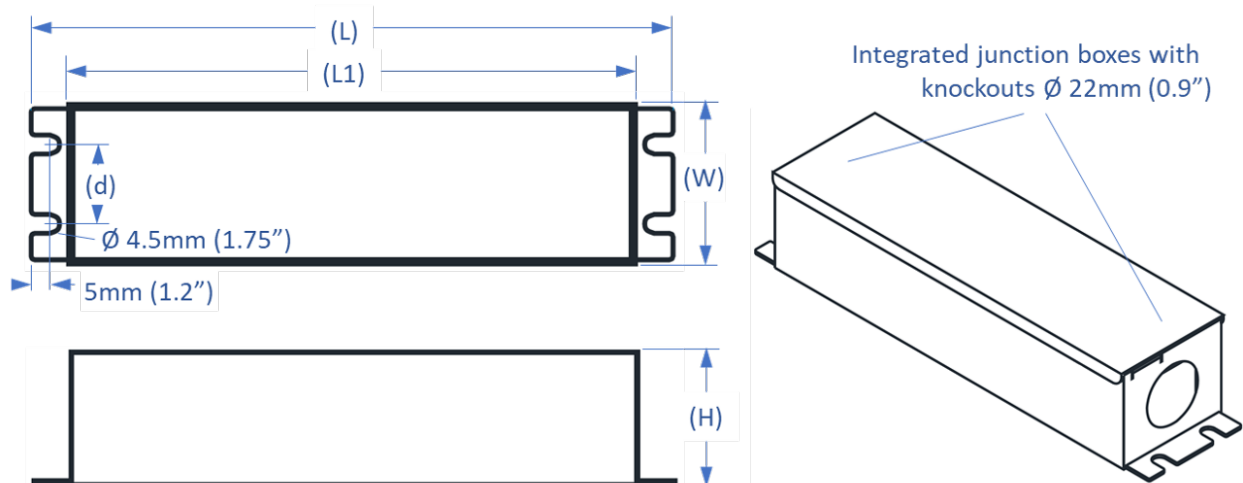


# AC/Triac Dimming LED Drivers

Mechanical Diagram - Driver, Round Puck, 40W



Mechanical Diagram - Driver, rectangular, 40W/60W/100W



Wattage	(L)	(W)	(H)	(L1)	(d)
40W	205mm (8.1")	50mm (2.0")	40mm (1.6")	196mm (7.8")	26mm (1.0")
60W	240mm (9.5")	53mm (2.1")	40mm (1.6")	231mm (9.1")	29mm (1.15")
100W	265mm (10.5")	71mm (2.8")	40mm (1.6")	256mm (10.1")	45mm (1.8")



# AC/Triac Dimming LED Drivers

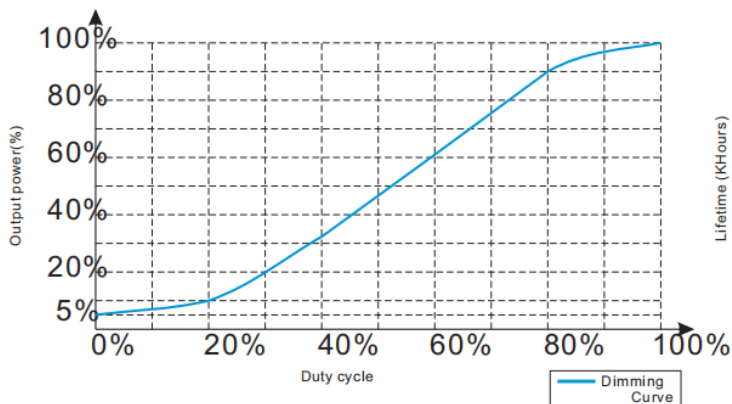
## Technical Specifications

AC/Triac Dimmable					
Type	Output Voltage	Max Output Current	Efficiency	SKU	Power Factor
40W Puck	12V DC	3.33A	86%	1017-ps-acdim-12v40w	>0.95
	24V DC	1.66A	87%	1010-ps-acdim-24v40w	
40W Jbox	12V DC	3.33A	86%	1021-ps-acdim-12v40w	
	24V DC	1.66A	87%	807-ps-acdim-24v40w	
60W	12V DC	4.5A	86%	1022-ps-acdim-12v60w	>0.5
	24V DC	2.5A	87%	802-ps-acdim-24v60w	
100W	24V DC	4.1A	87%	803-ps-acdim-24v100w	>0.95

Applies to all AC/Triac dimmable models:

Input Voltage	Load Regulation	Voltage Regulation	Voltage Accuracy	Dimming Range	Current Accuracy	Working Temperature	Output Type
110-130V AC	>2%	±1.0%	±2.0%	5%-100%	±5.0%	±30~50°C	Class 2

Dimming Curve



Lifetime vs. Case Temperature

