



# Non-Dimmable LED Drivers

TLX Drivers are for hard-wire installation, to power LED strips and light bars. Though these drivers cannot be dimmed, you can still achieve dimming by adding a PWM-based low-voltage dimmer on the output side.

Most models come complete with a convenient integrated dedicated metal enclosure and meet all Canada and USA safety regulations.

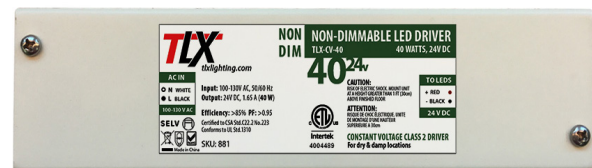
### Features and Benefits:

- Reliable operation
- Safe operation: overload, thermal and short-circuit protected
- Safe operation: Class 2 current-limited design
- Integral metal enclosures with wiring compartments for 40 watt, 60 watt and 100 watt versions
- Small round 40 watt "puck" version small enough to fit into an octagon junction box (Recognized Component type only)



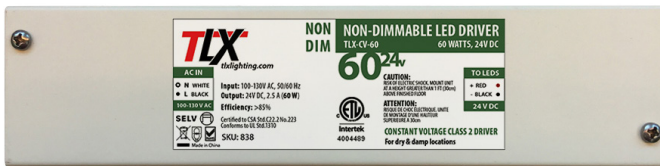
### 40 watt (Recognized Component)

- 1018-ps-nondim-24v40w
- 1019-ps-nondim-12v40w
- Fits in an octagon junction box (\*may require field inspection)



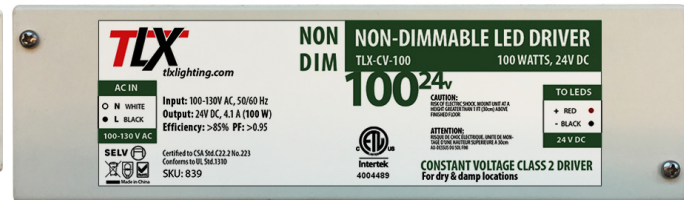
### 40 watt

- 881-ps-nondim-24v40w
- 1020-ps-nondim-12v40w



### 60 watt

- 838-ps-nondim-24v60w
- 1023-ps-nondim-12v60w



### 100 watt (24V ONLY)

- 839-ps-nondim-24v100w

## Perfect for powering LED flexible strip lights and rigid LED bars

Item	Dimensions (mm)	Wattage	Output Voltage	Hardwire	Class 2	Certification
1018-ps-nondim-24v40w	79 (Diam.) x 32(H) (Puck)	40 watt	24V DC	Yes	Yes	cETLus (RC)
881-ps-nondim-24v40w	205(L) x 50(W) x 40(H)	40 watt	24V DC	Yes	Yes	cETLus
838-ps-nondim-24v60w	240(L) x 53(W) x 40(H)	60 watt	24V DC	Yes	Yes	cETLus
839-ps-nondim-24v100w	265(L) x 71(W) x 40(H)	100 watt	24V DC	Yes	Yes	cETLus
1019-ps-nondim-12v40w	79 (Diam.) x 32(H) (Puck)	40 watt	12V DC	Yes	Yes	cETLus (RC)
1020-ps-nondim-12v40w	205(L) x 50(W) x 40(H)	40 watt	12V DC	Yes	Yes	cETLus
1023-ps-nondim-12v60w	240(L) x 53(W) x 40(H)	60 watt	12V DC	Yes	Yes	cETLus

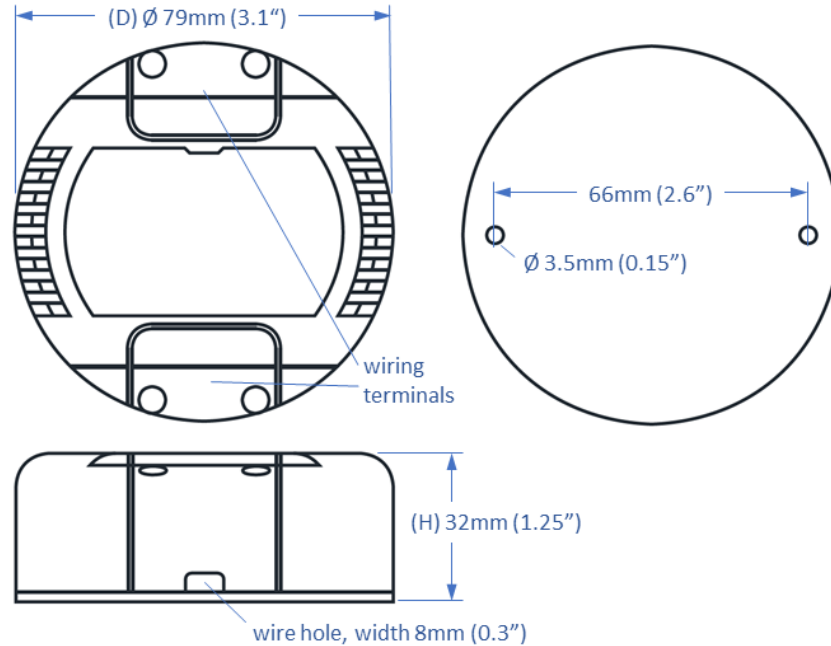
TLX brings you the finest selection of high quality, innovative and cost-effective LED lighting solutions.

Contact us today to learn more about how you can take advantage of the many benefits of TLX technology.

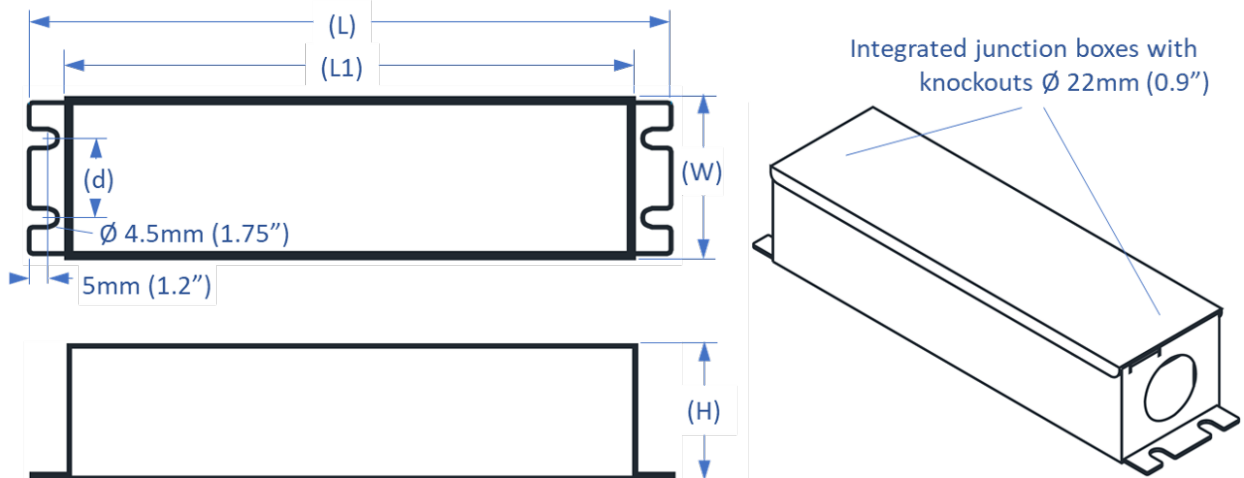


# Non-Dimmable LED Drivers

Mechanical Diagram - Driver, Round Puck, 40W



Mechanical Diagram - Driver, rectangular, 40W/60W/100W



Wattage	(L)	(W)	(H)	(L1)	(d)
40W	205mm (8.1")	50mm (2.0")	40mm (1.6")	196mm (7.8")	26mm (1.0")
60W	240mm (9.5")	53mm (2.1")	40mm (1.6")	231mm (9.1")	29mm (1.15")
100W	265mm (10.5")	71mm (2.8")	40mm (1.6")	256mm (10.1")	45mm (1.8")



# Non-Dimmable LED Drivers

## Technical Specifications

Non Dimmable					
Type	Output Voltage	Max Output Current	Efficiency	SKU	Power Factor
40W Puck	12V DC	3.33A	86%	1019-ps-nondim-12v40w	>0.95
	24V DC	1.66A	87%	1018-ps-nondim-24v40w	
40W Jbox	12V DC	3.33A	86%	1020-ps-nondim-12v40w	
	24V DC	1.66A	87%	881-ps-nondim-24v40w	
60W	12V DC	4.5A	86%	1023-ps-nondim-12v60w	
	24V DC	2.5A	87%	838-ps-nondim-24v60w	
100W	24V DC	4.1A	87%	839-ps-nondim-24v100w	

Applies to all non dimmable models:

Input Voltage	Load Regulation	Voltage Regulation Factor	Voltage Accuracy	Current Accuracy	Working Temperature	Output Type
110-130V AC	>2%	±1.0%	±2.0%	±5.0%	±30~50°C	Class 2