



0-10V Dimming LED Drivers

TLX 0-10V dimmable hardwire drivers are compatible with 0-10V dimmers. Most models come with integrated wiring compartments for easy hardwire installation.



Features and Benefits:

- Smooth dimming from 100% to 10%
- Reliable operation
- Compatible with 0-10V dimmers
- Safe operation: overload, thermal and short-circuit protected
- Safe operation: Class 2 current-limited design
- Integral enclosures with wiring compartments for 40 watt, 60 watt and 100 watt versions

40 watt (Recognized Component)

1034-ps-010vdim-24v40w
1038-ps-010vdim-12v40w
Fits in an octagon junction box
(*may require field inspection)



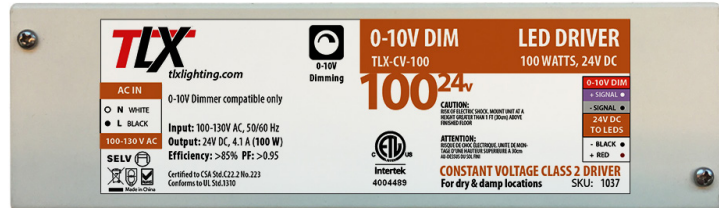
40 watt

1035-ps-010vdim-24v40w
1039-ps-010vdim-12v40w



60 watt

1036-ps-010vdim-24v60w
1040-ps-010vdim-12v60w



100 watt (24V ONLY)

1037-ps-010vdim-24v100w

Perfect for powering LED flexible strip lights and rigid LED bars

Item	Dimensions (mm)	Wattage	Output Voltage	Hardwire	Class 2	Certification
1034-ps-010vdim-24v40w	79 (Diam.) x 32(H) (Puck)	40 watt	24V DC	Yes	Yes	cETLus (RC)
1035-ps-010vdim-24v40w	205(L) x 50(W) x 40(H)	40 watt	24V DC	Yes	Yes	cETLus
1036-ps-010vdim-24v60w	240(L) x 53(W) x 40(H)	60 watt	24V DC	Yes	Yes	cETLus
1037-ps-010vdim-24v100w	265(L) x 71(W) x 40(H)	100 watt	24V DC	Yes	Yes	cETLus
1038-ps-010vdim-12v40w	79 (Diam.) x 32(H) (Puck)	40 watt	12V DC	Yes	Yes	cETLus (RC)
1039-ps-010vdim-12v40w	205(L) x 50(W) x 40(H)	40 watt	12V DC	Yes	Yes	cETLus
1040-ps-010vdim-12v60w	240(L) x 53(W) x 40(H)	60 watt	12V DC	Yes	Yes	cETLus

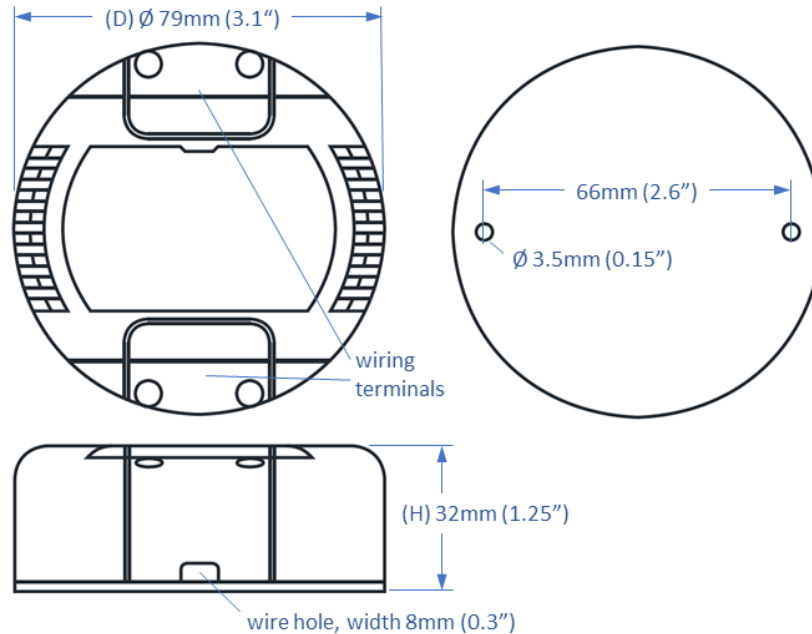
TLX brings you the finest selection of high quality, innovative and cost-effective LED lighting solutions.

Contact us today to learn more about how you can take advantage of the many benefits of TLX technology.

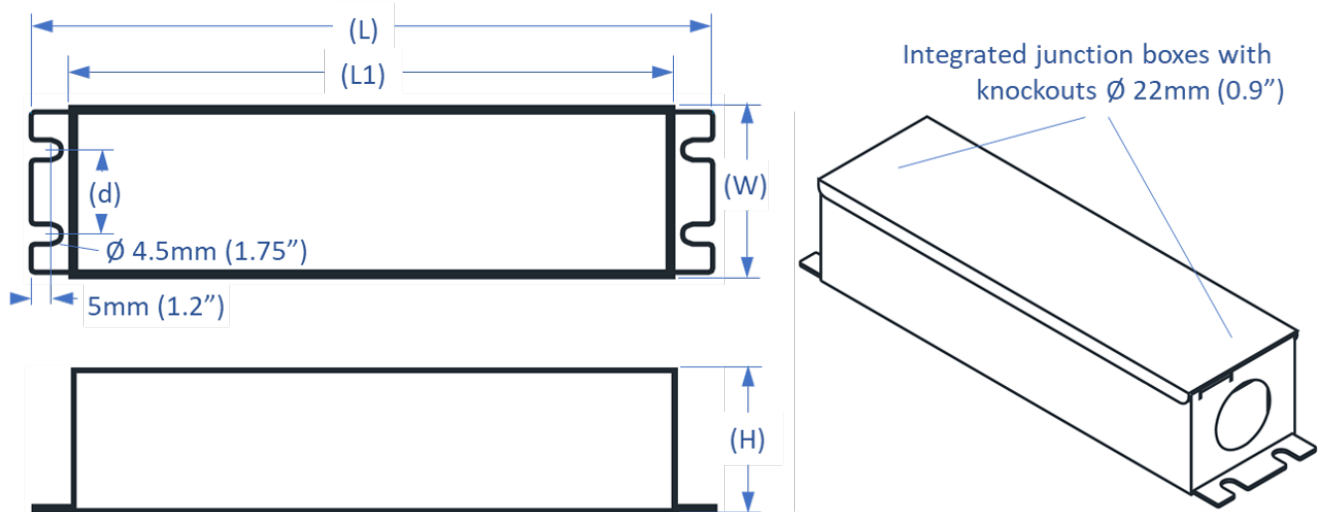


0-10V Dimming LED Drivers

Mechanical Diagram - Driver, Round Puck, 40W



Mechanical Diagram - Driver, rectangular, 40W/60W/100W



Wattage	(L)	(W)	(H)	(L1)	(d)
40W	205mm (8.1")	50mm (2.0")	40mm (1.6")	196mm (7.8")	26mm (1.0")
60W	240mm (9.5")	53mm (2.1")	40mm (1.6")	231mm (9.1")	29mm (1.15")
100W	265mm (10.5")	71mm (2.8")	40mm (1.6")	256mm (10.1")	45mm (1.8")



0-10V Dimming LED Drivers

Technical Specifications

0-10V Dimmable					
Type	Output Voltage	Max Output Current	Efficiency	SKU	Power Factor
40W Puck	12V DC	3.33A	86%	1038-ps-010vdim-12v40w	>0.95
	24V DC	1.66A	87%	1034-ps-010vdim-24v40w	
40W Jbox	12V DC	3.33A	86%	1039-ps-010vdim-12v40w	
	24V DC	1.66A	87%	1035-ps-010vdim-24v40w	
60W	12V DC	4.5A	86%	1040-ps-010vdim-12v60w	
	24V DC	2.5A	87%	1036-ps-010vdim-24v60w	
100W	24V DC	4.1A	87%	1037-ps-010vdim-24v100w	

Applies to all 0-10V dimmable models:

Input Voltage	Load Regulation	Voltage Regulation Factor	Voltage Accuracy	Dimming Range	Current Accuracy	Working Temperature	Output Type
110-130V AC	>2%	±1.0%	±2.0%	5%-100%	±5.0%	±30~50°C	Class 2